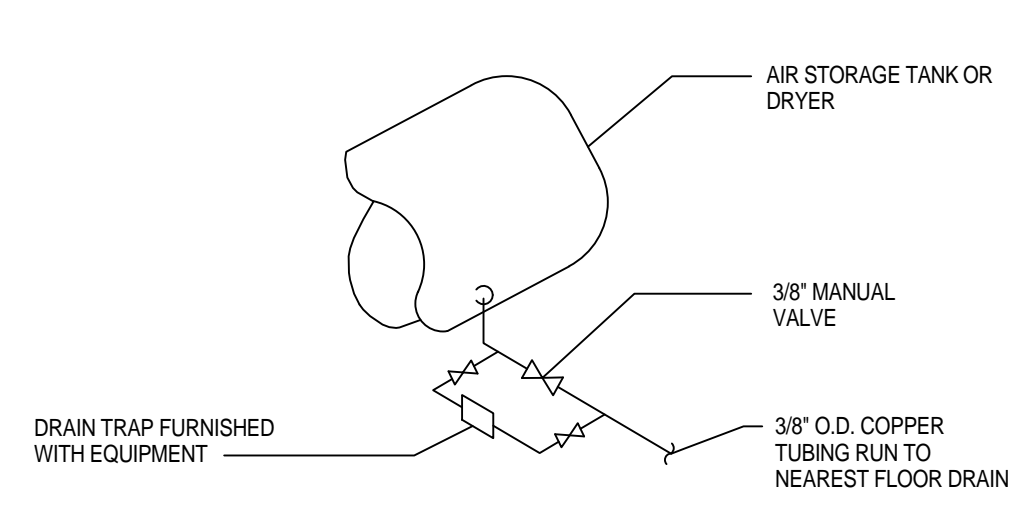
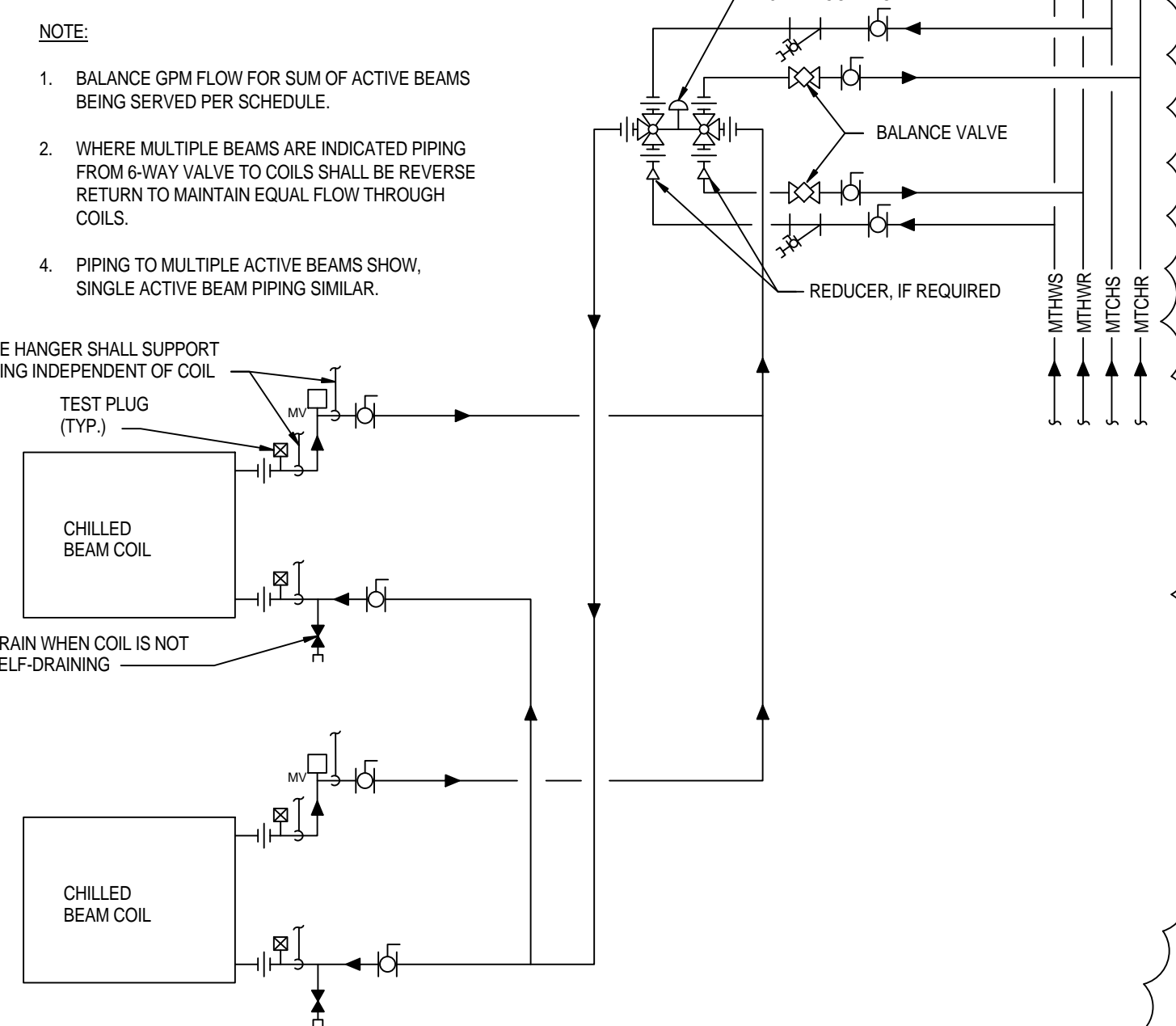


three inches = one foot
 one and one half inches = one foot
 one inch = one foot
 one quarter inch = one foot
 one half inch = one foot
 three eighth inch = one foot
 one eighth inch = one foot
 one quarter inch = one foot
 one eighth inch = one foot
 one quarter inch = one foot
 one eighth inch = one foot



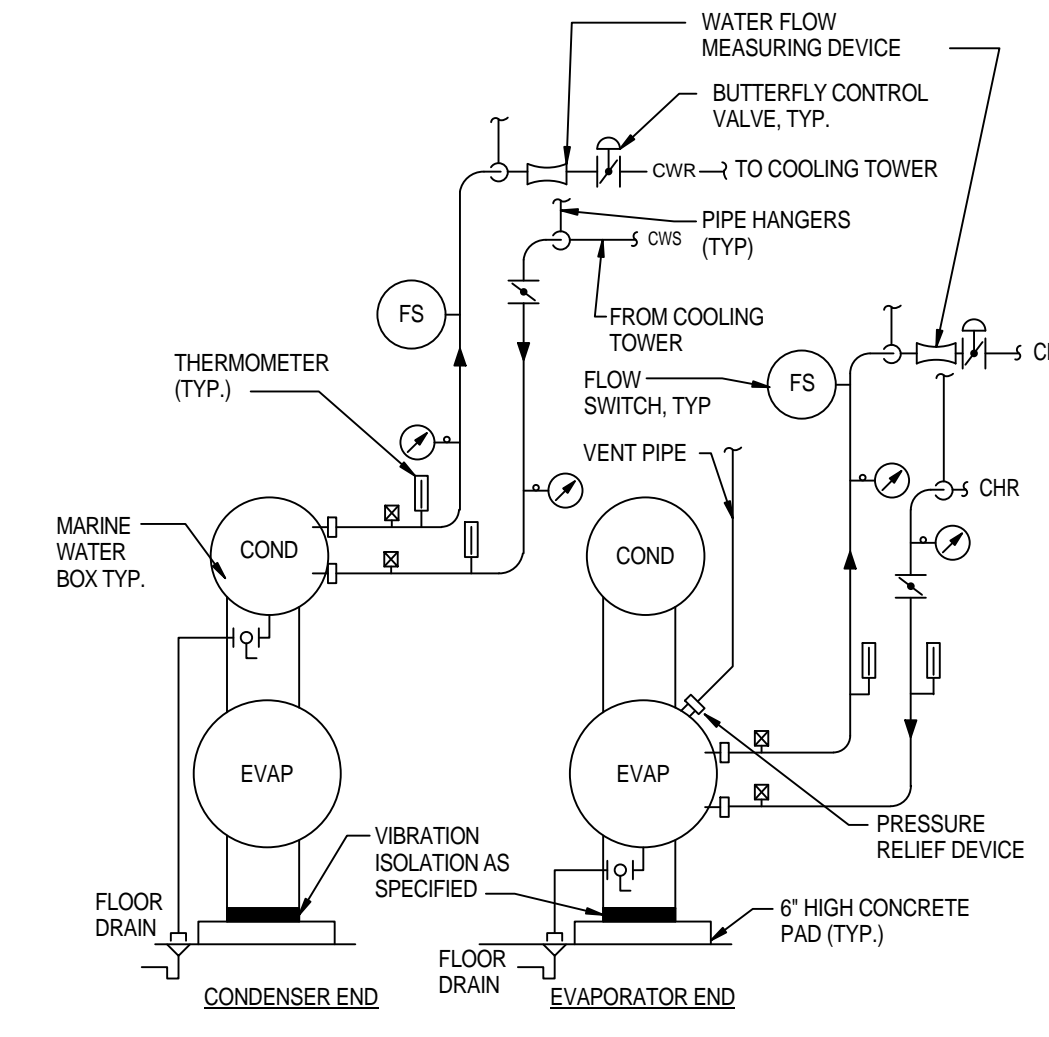
1 TYPICAL DRAIN FOR AIR COMPRESSOR AND DRYER

NTS



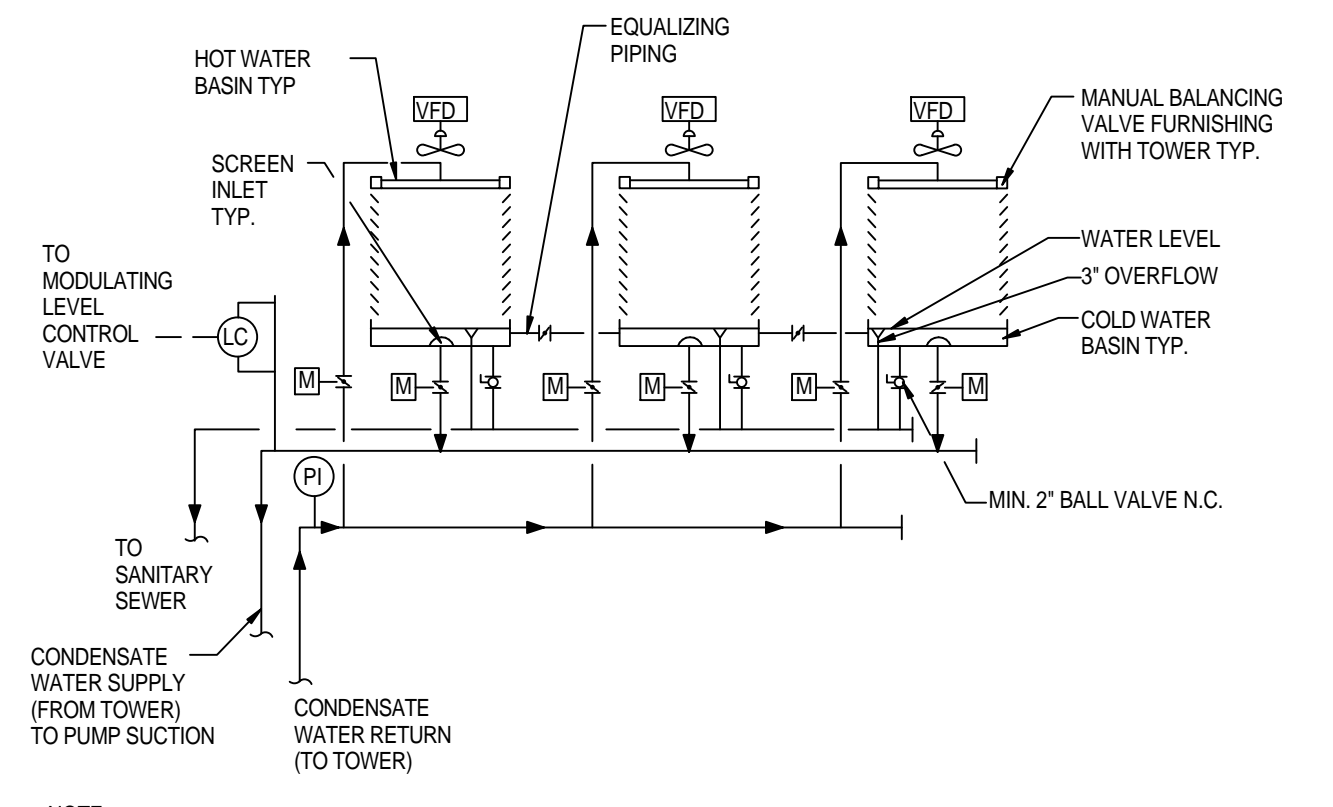
2 ACTIVE BEAM COIL PIPING DETAIL

NTS



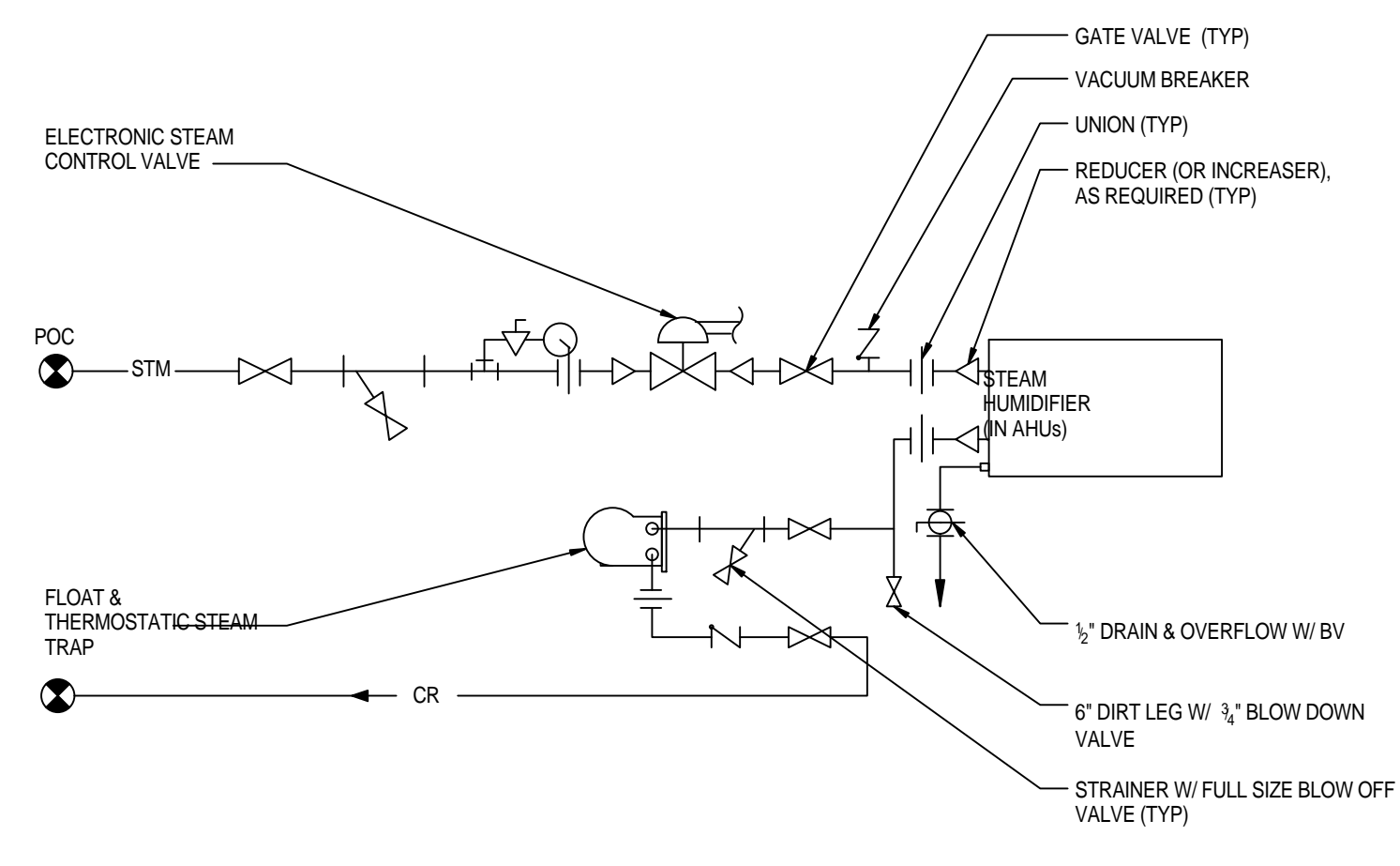
3 WATER COOLED CHILLER - PIPING CONNECTIONS

NTS



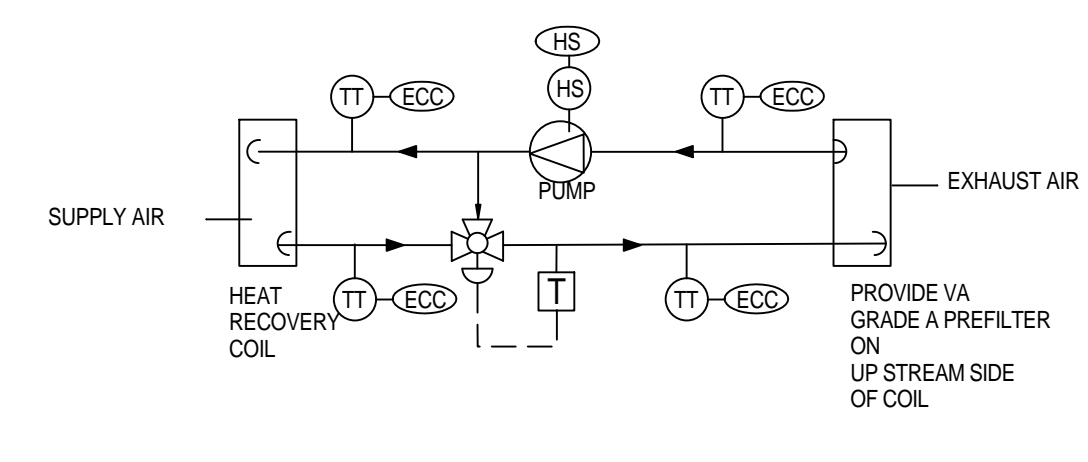
4 MULTIPLE CELL COOLING TOWER - PIPING CONNECTIONS

NTS



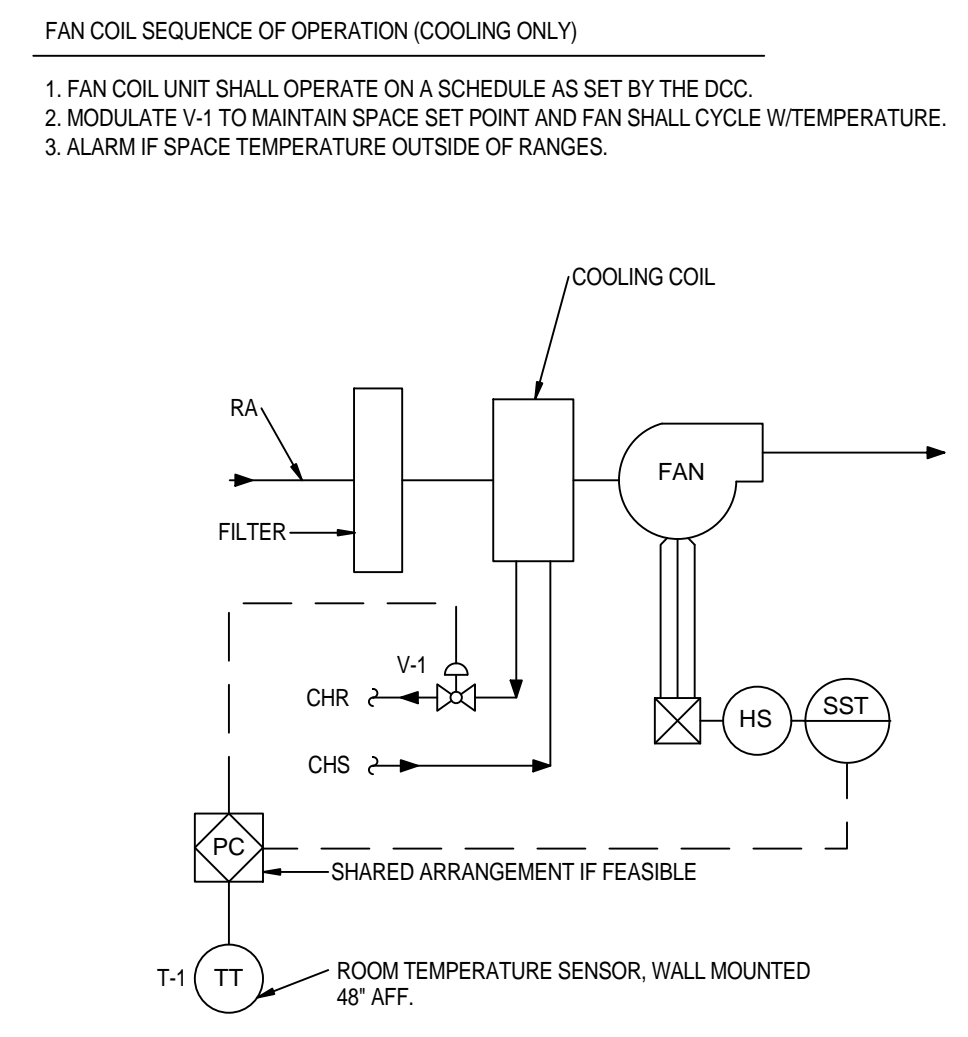
5 STEAM COIL PIPING CONNECTIONS

NTS



6 RUN AROUND HEAT RECOVERY COIL DETAIL

NTS



7 COOLING ONLY FAN COIL UNIT CONTROLS

NTS

AMENDMENT A00004	07.14.2014
AMENDMENT A00002	06.19.2014
BID DOCUMENTS	05.30.2014
CONSTRUCTION DOCUMENT CD2	06.05.2013

CONSULTANTS:

Stantec Consulting
 100 California Street, Suite 1000
 San Francisco, CA 94111
 T: 415.882.9500
 F: 415.882.9523

ARCHITECT

STANTEC | THE DESIGN PARTNERSHIP

Drawing Title	MH&R - MECHANICAL DETAILS, MISC.
Drawing Scale	
Approved: Project Director	

Project Title	Building 101 Mental Health Services VAPSHCS Seattle Division - Phase 2 MENTAL HEALTH AND RESEARCH BUILDING
Location	1660 South Columbian Way, Seattle, WA 98105
Date	JUNE 05, 2013
Checked	
Drawn	
Project Number	VAP 663-405B
Building Number	B101 Mental Health Services
Drawing Number	MH510
Volume 2b	

**CONSTRUCTION DOCUMENT 2
FULLY SPRINKLERED**

Office of Construction and Facilities Management

Department of Veterans Affairs

7/11/2014 7:56:03 PM